

# AI DIGITAL VIDEO RECORDER

## Quick Start Guide

**V1.0.1**

## Welcome

Thank you for purchasing our Digital Video Recorder (DVR).

This Quick Start Guide (hereinafter referred to be "the Guide") will help you become familiar with our DVR in a short time. Please read the Guide carefully before starting using your DVR and properly keep it for future reference.

## Important Safeguards and Warnings

### Operation Requirement

- Do not place or install the Device in a place exposed to sunlight or near the heat source.
- Keep the Device away from dampness, dust or soot.
- Keep the Device installed horizontally on the stable place to prevent it from falling.
- Do not drop or splash liquid onto the Device, and make sure there is no object filled with liquid on the Device to prevent liquid from flowing into the Device.
- Install the Device in a well-ventilated place, and do not block the ventilation of the Device.
- Operate the device within the rated range of power input and output.
- Do not disassemble the Device.
- Transport, use and store the Device under the allowed humidity and temperature conditions.



### Electrical Safety

- Improper battery use might result in fire, explosion, or inflammation.
- When replacing battery, make sure the same model is used.
- Use the recommended power cables in the region and conform to the rated power specification.
- Use the power adapter provided with the Device; otherwise, it might result in people injury and device damage.
- The power source shall conform to the requirement of the Safety Extra Low Voltage (SELV) standard, and supply power with rated voltage which conforms to Limited power Source requirement according to IEC60950-1. Please note that the power supply requirement is subject to the device label.
- Connect the device (I-type structure) to the power socket with protective earthing.
- The appliance coupler is a disconnection device. When using the coupler, keep the angle for easy operation.

## Safety Instructions

The following categorized signal words with defined meaning might appear in the Guide.

Signal Words	Meaning
--------------	---------

Signal Words	Meaning
 <b>CAUTION</b>	Indicates a potential risk which, if not avoided, could result in property damage, data loss, lower performance, or unpredictable result.
 <b>NOTE</b>	Provides additional information as the emphasis and supplement to the text.

## Privacy Protection Notice

As the device user or data controller, you might collect personal data of others such as face, fingerprints, car plate number, Email address, phone number, GPS and so on. You need to be in compliance with the local privacy protection laws and regulations to protect the legitimate rights and interests of other people by implementing measures include but not limited to: providing clear and visible identification to inform data subject the existence of surveillance area and providing related contact.

## About the Guide

- The Guide is for reference only. If there is inconsistency between the Guide and the actual product, the actual product shall prevail.
- We are not liable for any loss caused by the operations that do not comply with the Guide.
- The Guide would be updated according to the latest laws and regulations of related regions. For detailed information, see the paper manual, CD-ROM, QR code or our official website. If there is inconsistency between paper User's Manual and the electronic version, the electronic version shall prevail.
- All the designs and software are subject to change without prior written notice. The product updates might cause some differences between the actual product and the Guide. Please contact the customer service for the latest program and supplementary documentation.
- There still might be deviation in technical data, functions and operations description, or errors in print. If there is any doubt or dispute, please refer to our final explanation.
- Upgrade the reader software or try other mainstream reader software if the Guide (in PDF format) cannot be opened.
- All trademarks, registered trademarks and the company names in the Guide are the properties of their respective owners.
- Please visit our website, contact the supplier or customer service if there is any problem occurred when using the device.
- If there is any uncertainty or controversy, please refer to our final explanation.

# Table of Contents

<b>Foreword</b> .....	<b>I</b>
<b>1 Quick Start</b> .....	<b>1</b>
1.1 Unpacking the Accessories.....	1
1.2 Checking the Components.....	1
1.3 Installing Hard Disk Drive (HDD) .....	2
1.4 Booting up .....	4
<b>2 The Grand Tour for Rear Panel</b> .....	<b>6</b>
<b>3 Local Configurations</b> .....	<b>8</b>
3.1 Initializing DVR.....	8
3.2 Resetting Password .....	9
3.3 Adding Remote Device .....	12
3.4 Configuring Recording Storage Schedule .....	13
3.5 Playing Back Recorded Video .....	14
3.6 Configuring P2P Settings.....	15
3.6.1 Entering P2P Interface.....	15
3.6.2 Adding DVR into Cell Phone Client .....	16
3.7 Logout .....	18
<b>4 Web Login</b> .....	<b>19</b>

# 1 Quick Start

 NOTE


The actual appearance or quantity might be different depending on the model you purchased.

## 1.1 Unpacking the Accessories



## 1.2 Checking the Components

When you receive the DVR, please check against the following checking list. If any of the items are missing or damaged, contact the local retailer or after-sales engineer immediately.

Sequence	Checking items		Requirement
1	Package	Appearance	No obvious damage.
		Packing materials	No broken or distorted positions that could be caused by hit.
2	Labels	Labels on the device	Not torn up.  NOTE Do not tear up or throw away the labels; otherwise the warranty services are not ensured. You need to provide the serial number of the product when calling the after-sales service.
3	Device	Appearance	No obvious damage.
		Data cables, power cables, fan cables, and mainboard	No loose connection.

## 1.3 Installing Hard Disk Drive (HDD)

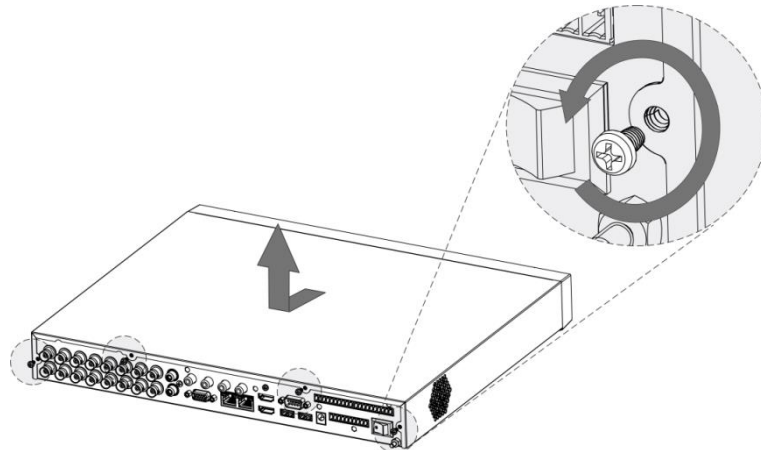
Please check whether the HDD is already installed for the first use. Please use enterprise HDD or surveillance HDD instead of PC HDD.

 NOTE

Shut down the DVR and unplug the power cable before opening the cover to replace the HDD.

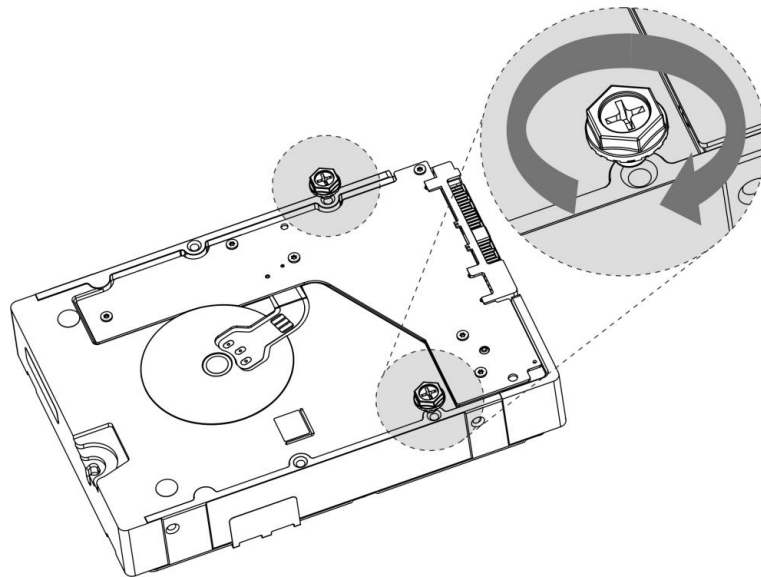
Step 1 Remove the screws to take off the cover.

Figure 1-1 Taking off cover



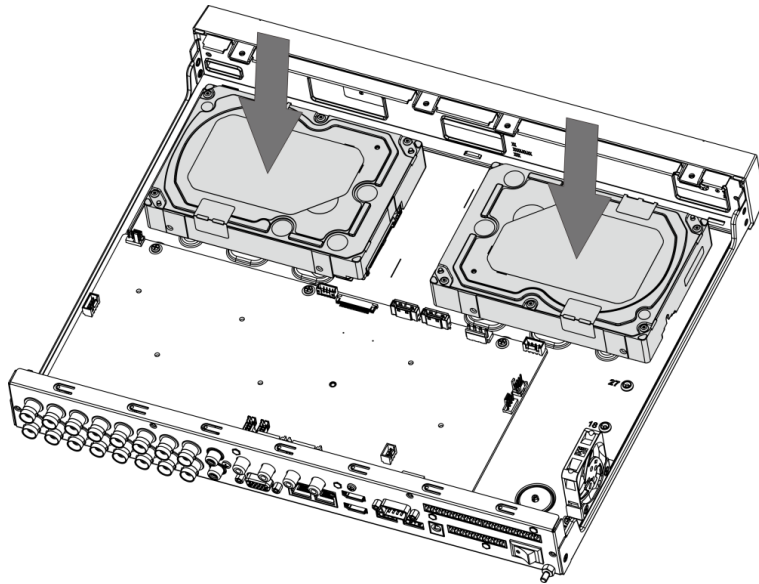
Step 2 Put two screws on the HDD and twist one turn.

Figure 1-2 Putting in screws



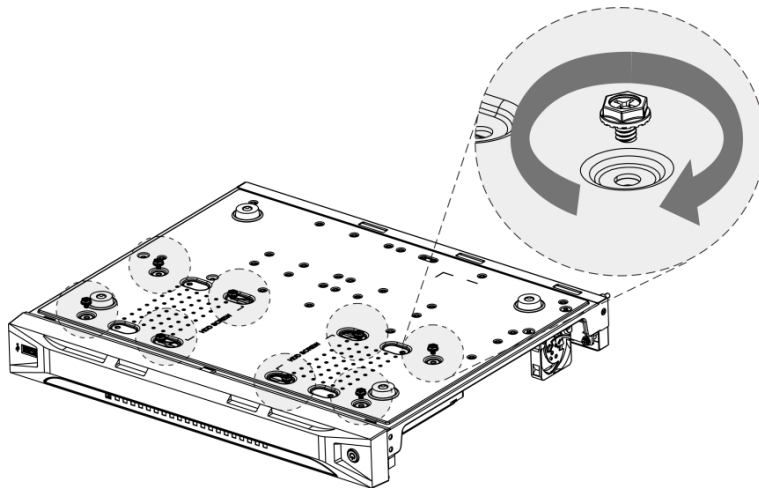
Step 3 Align the two screws with the holes on the device.

Figure 1-3 HDD placement



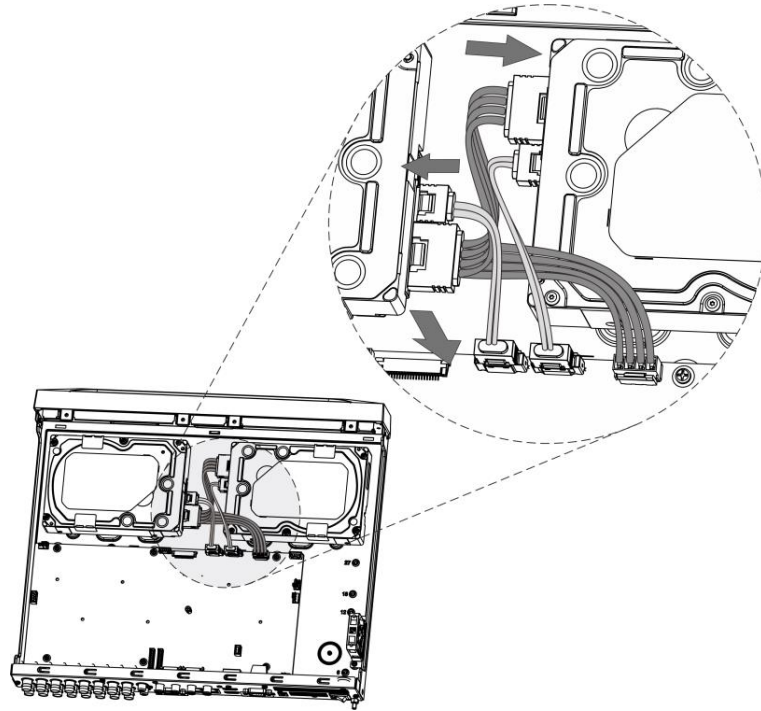
Step 4 Turn the device and put in the other two screws, and then fasten all screws to fix the HDD to the device.

Figure 1-4 HDD fixing to device



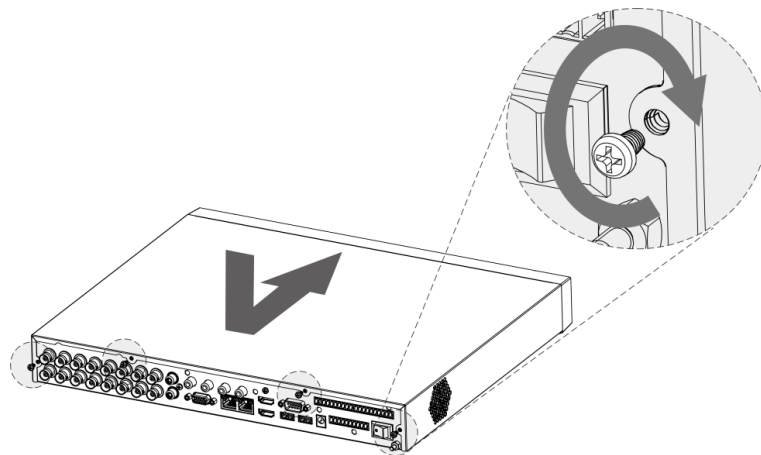
Step 5 Use power cable and data cable to connect the device and HDD.

Figure 1-5 Cables connection



**Step 6** Put back the cover and fasten the screws.

Figure 1-6 Installation completed



## 1.4 Booting up

### CAUTION

- Ensure the input voltage corresponds to the power requirement of the DVR. Turn on the DVR after the power cable is properly connected.
- To protect the DVR, connect the DVR with the power cable first, and then connect to the power source.
- To ensure the stable work of the DVR and the connected external devices such as camera and to prolong the HDD service life, please refer to the related international standard to use the power source that provides stable voltage with less ripple interference. UPS power source is recommended.

**Step 1** Connect the DVR to a display.

**Step 2** Plug in the power cable to the DVR.

**Step 3** Press the power button to turn on the DVR. The power indicator glows.



On the connected display, the live view screen is displayed. If you turn on the DVR during the time period that is configured for recording, the system starts recording after it is turned on, and you will see the icon indicating recording status in specific channels.

# 2 The Grand Tour for Rear Panel

 NOTE

The actual appearance might be different depending on the model you purchased.

The following figure shows the rear panel of the DVR.

Figure 2-1 Rear panel

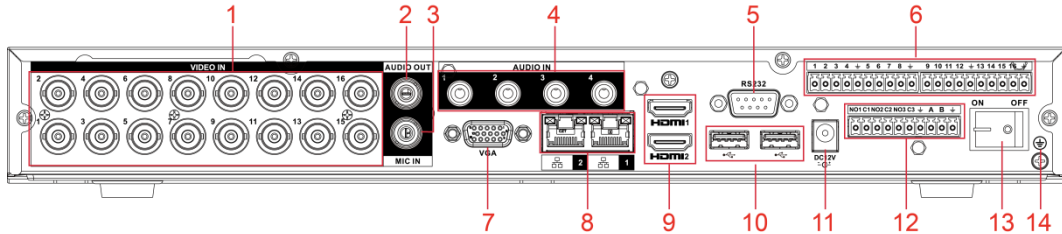





Table 2-1 Port description

No.	Port Name	Function
1	Video input port	Connects to analog camera to input video signal.
2	Audio output port	Outputs audio signal to the devices such as the sound box.
3	MIC IN	Two-way talk input port which receives analog audio signal output from the devices such as microphone and pickup.
4	Audio input port	Receives audio signal output from the devices such as microphone.
5	RS-232 debug COM	The port is used for general COM debug to configure IP address or transfer transparent COM data.
6	Alarm input port 1–16	4 groups of alarm input ports (Group 1: port 1 to port 4; Group 2: port 5 to port 8; Group 3: port 9 to port 12; Group 4: port 13 to port 16). These ports receive the signal from the external alarm source. There are two types: NO (normal open) and NC (normal close).  NOTE When your alarm input device is using external power, please make sure the input device and the DVR connect to the same ground.
		Ground terminal.
7	VGA port	Outputs analog video data to the connected display with VGA port.
8	Network port	Connects to Ethernet port.
9	HDMI port	High definition audio and video signal output port. The port outputs the uncompressed high definition video and multi-channel audio data to the connected display with HDMI port.
10	USB port	Connects to the external devices such as keyboard, mouse, and USB storage device.

No.	Port Name	Function
11	Power input port	Inputs power.
12	Alarm output port 1–5 (NO1–NO5; C1–C5; NC5)	<ul style="list-style-type: none"> <li>• 5 groups of alarm output ports (Group 1: port NO1–C1, Group 2: port NO2–C2, Group 3: port NO3–C3, Group 4: port NO4–C4, Group 5: port NO5, C5, NC5). These ports output alarm signal to the alarm device. Please make sure power supply to the external alarm device.</li> <li>• NO: Normal open alarm output port.</li> <li>• C: Alarm output public end.</li> <li>• NC: Normal close alarm output port.</li> </ul>
13	Power button	Turns on/off the DVR.
14		Ground.

# 3

## Local Configurations

Please read the following notes prior to using your DVR.

 NOTE

- The interfaces in the Guide are used for introducing the operations and only for reference. The actual product shall govern.
- For details about operations of the DVR, see *User's Manual*.
- To enter the Main Menu, right-click on the live view screen to display the shortcut menu, and then click **Main Menu** and login the system.

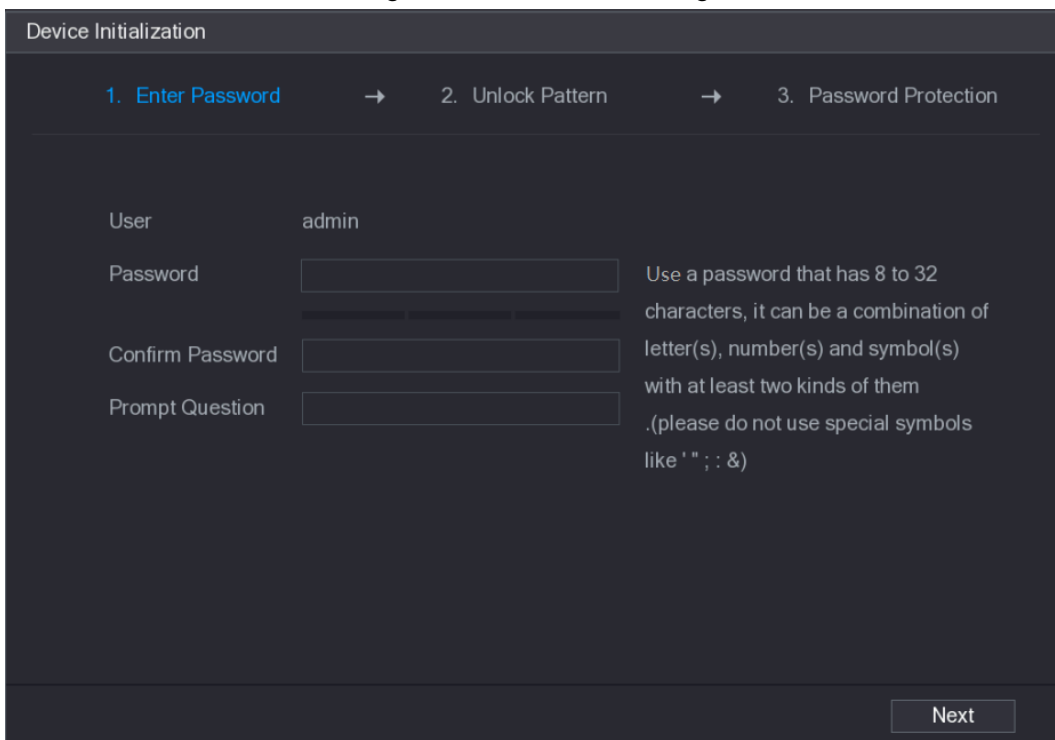
### 3.1 Initializing DVR

When booting up for the first time, the **Device Initialization** interface is displayed, see Figure 3-1. You need to configure the password information for the **admin** (by default). If needed, you can also configure the unlock pattern and password protection mode, see Figure 3-2 and Table 3-1.

 NOTE

- The new password can be set from 8 characters through 32 characters and contains at least two types from number, letter and special characters (excluding "", "", ";", ":" and "&"). Please enter a strong password according to the password strength bar indication.
- To secure your DVR, it is strongly recommended to properly keep the password for admin and modify it periodically.

Figure 3-1 Password setting




The screenshot shows the 'Device Initialization' screen with a progress bar at the top indicating three steps: '1. Enter Password' (active), '2. Unlock Pattern', and '3. Password Protection'. Below the progress bar, the 'User' field is set to 'admin'. The 'Password' field is empty, with a note to the right stating: 'Use a password that has 8 to 32 characters, it can be a combination of letter(s), number(s) and symbol(s) with at least two kinds of them'. The 'Confirm Password' field is also empty, with a note below it: '(please do not use special symbols like " ; : & )'. The 'Prompt Question' field is empty. A 'Next' button is located at the bottom right of the screen.

Figure 3-2 Password protection

The screenshot shows the 'Device Initialization' screen at the '3. Password Protection' step. At the top, there is a progress bar with three steps: '1. Enter Password', '2. Unlock Pattern', and '3. Password Protection'. Below this, there are two toggle switches, both of which are turned on. The first is labeled 'Email Address' and is followed by an empty text input field. To the right of this field is the text: 'To reset password, please input properly or update in time'. The second toggle is labeled 'Security Questions'. Below it are three question-and-answer pairs. Each question is in a dropdown menu, and the answer is in a text input field. The questions are: 'Question 1: What is your favorite children's book?', 'Question 2: What was the first name of your first boss?', and 'Question 3: What is the name of your favorite fruit?'. At the bottom right of the screen is a 'Save' button.

Table 3-1 Password protection mode description

Password Protection Mode	Description
Email Address	Enter the reserved email address. In the <b>Email Address</b> box, enter an email address for password reset. In case you forgot password, enter the security code that you will get from this reserved email address to reset the password of admin.
Security Questions	Configure the security questions and answers. In case you forgot password, enter the answers to the questions can make you reset the password.
<p> <b>NOTE</b></p> <p>If you want to configure the email or security questions function later or you want to change the configurations, select <b>Main Menu &gt; ACCOUNT &gt; USER</b>.</p>	

## 3.2 Resetting Password

You can reset the password by the following methods when you forgot the password for admin account.

- If the password reset function is enabled, you can use mobile phone to scan the QR code to reset the password.
- If the password reset function is disabled, there are two situations:
  - ◇ If you configured security questions, you can find back the password by the security questions.
  - ◇ If you did not configure the security questions, you can only use the reset button on the mainboard to restore the Device to factory default.

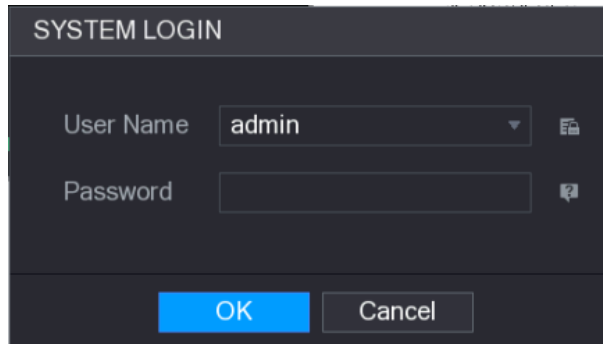
 NOTE

Not all models are provided with reset button.

**Step 1** Enter the login interface.

- If you have configured unlock pattern, the unlock pattern login interface is displayed. Click **Forgot Pattern**, the password login interface is displayed. See Figure 3-3.
- If you did not configure unlock pattern, the password login interface is displayed. See Figure 3-3.

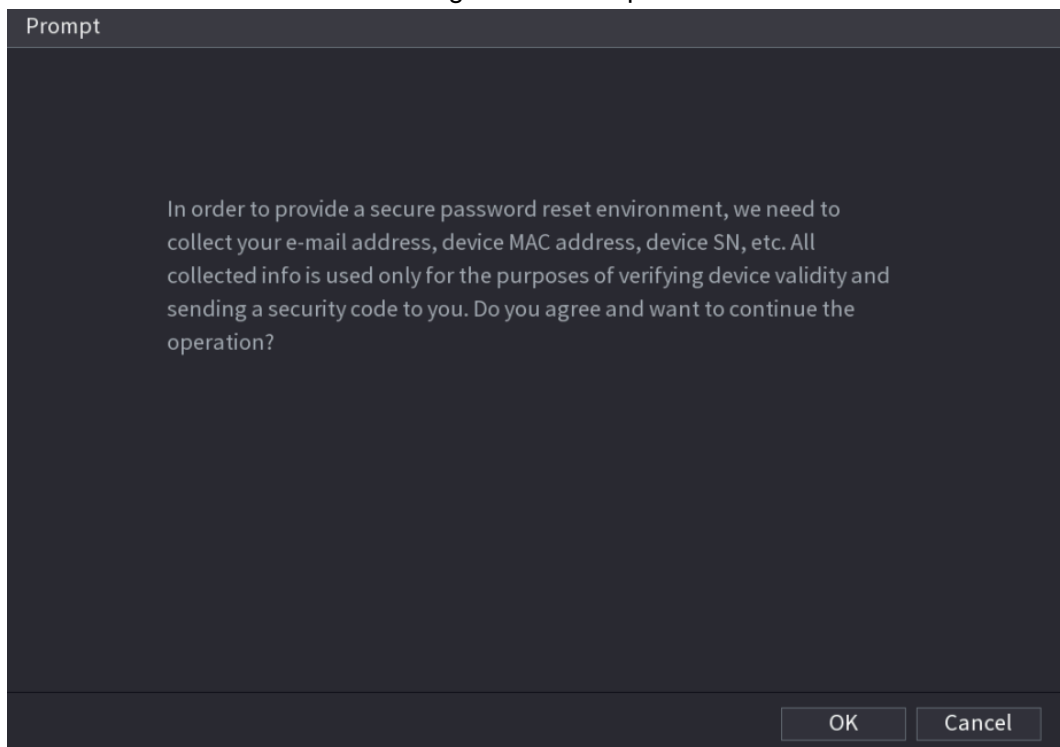
Figure 3-3 System login



**Step 2** Click .

- If you did not set the reserved email address, the email entering interface is displayed. Enter the email address, and then click **Next**, the **Prompt** message interface is displayed. See Figure 3-4.
- If you have set the reserved email address, the **Prompt** message interface is displayed. See Figure 3-4.

Figure 3-4 Prompt



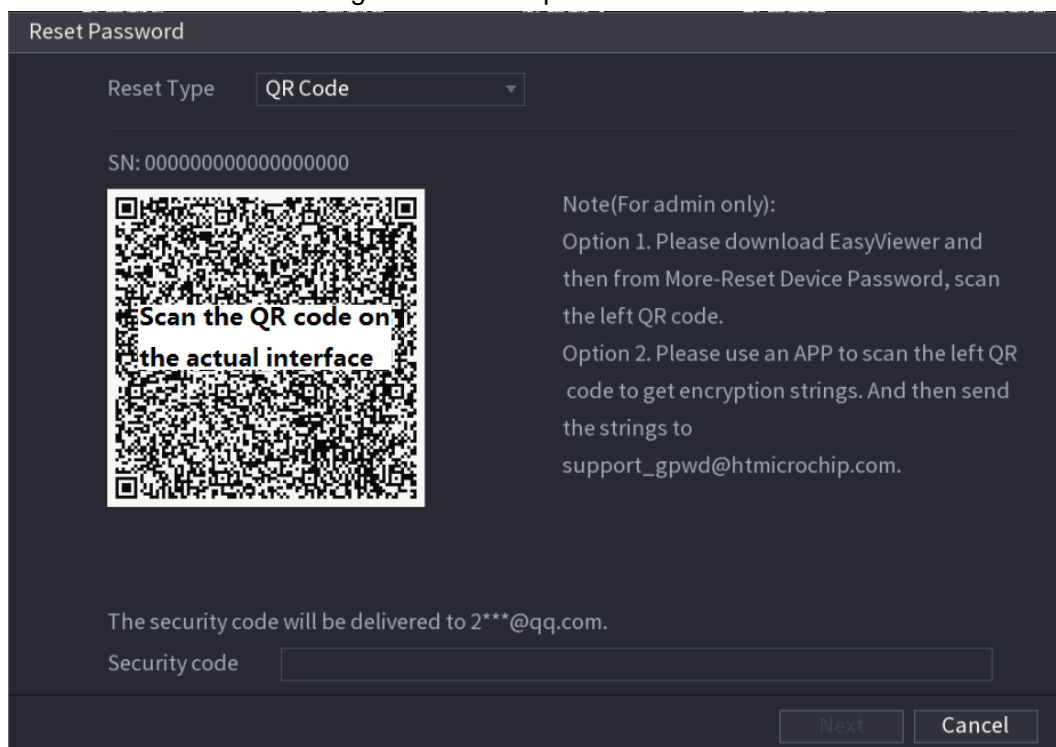
**Step 3** Click **OK**.

The **Reset Password** interface is displayed. See Figure 3-5.

 NOTE

After clicking **OK**, the system will collect your information for password reset, and the information includes but not limited to email address, MAC address, and device serial number. Please read the prompt carefully before clicking **OK**.

Figure 3-5 Reset password



**Step 4** Reset the password.

- QR code  
Scan the QR code on the actual interface, and then follow the onscreen instructions to get the security code in your reserved email address. In the **Security code** box, enter the security code.



**CAUTION**

- You can get the security code twice by scanning the same QR code. If you need to get the security code once again, please refresh the interface.
- Please use the security code received in your email box to reset the password within 24 hours; otherwise the security code becomes invalid.
- Security questions
  - 1) On the **Reset password** interface as shown in Figure 3-4, in the **Reset Type** list, select **Security Questions**, the **Security Questions** interface is displayed. See Figure 3-6.

 NOTE

If you did not configure the security questions before, in the **Reset Type** list, there is no **Security Questions**.

- 2) In the **Answer** box, enter the correct answers.

Figure 3-6 Security questions

The screenshot shows a 'Reset Password' window with a dark background. At the top, 'Reset Type' is set to 'Security Questions'. Below this, there are three question-and-answer pairs. Each question is displayed in a dropdown menu, and the answer is entered in a text box. The questions are: 'What is your favorite children's book?', 'What was the first name of your first boss?', and 'What is the name of your favorite fruit?'. At the bottom right, there are 'Next' and 'Cancel' buttons.

**Step 5** Click **Next** and then follow the onscreen instructions to complete the password resetting.

### 3.3 Adding Remote Device

You can add remote devices by adding the IP address.

 **NOTE**

This function is available after having configured the channel type as IP channel by selecting **Main Menu > CAMERA > CHANNEL TYPE**.

**Step 1** Select **Main Menu > CAMERA > REGISTRATION > Registration**.

The **Registration** interface is displayed.

**Step 2** Click **IP Search**.

The searched devices are displayed.

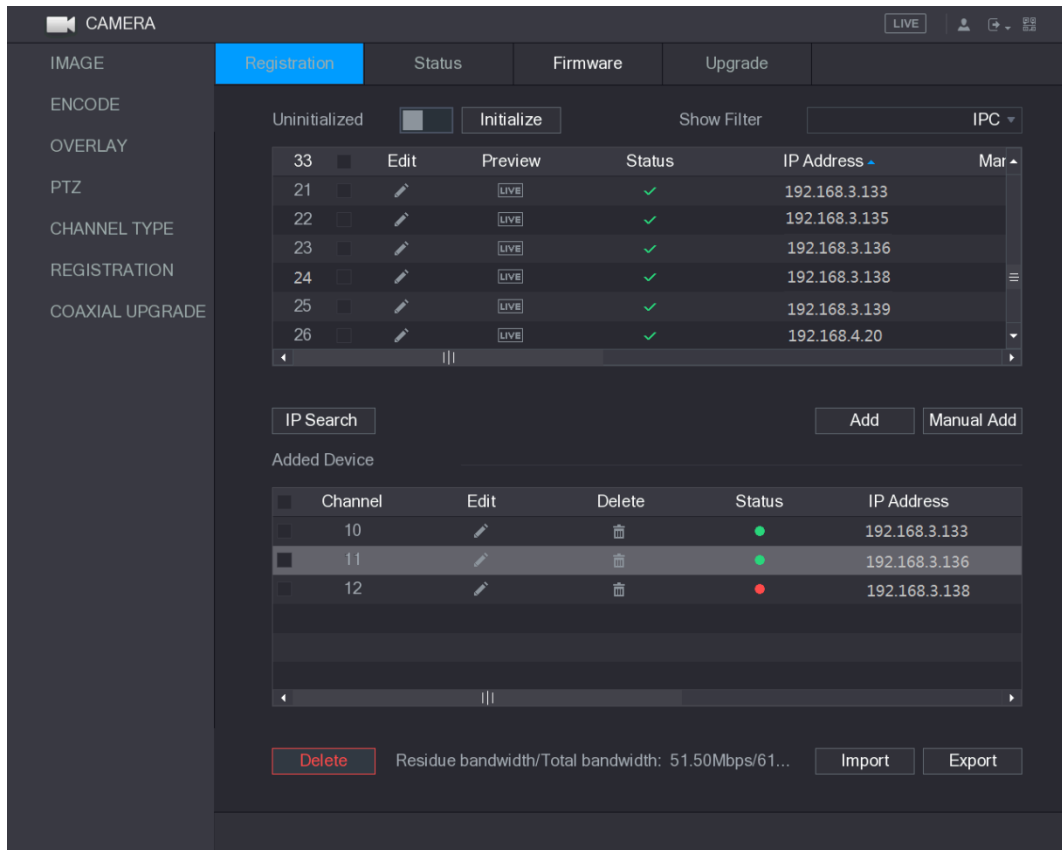
**Step 3** Add the device by either of the following ways.

- Double-click the device, or select the check box of the device and then click **Add**.
- Click **Manual Add**, configure the parameters and then click **Apply**.

The device is displayed in the **Added Device** area. See Figure 3-7.



Figure 3-7 Added device

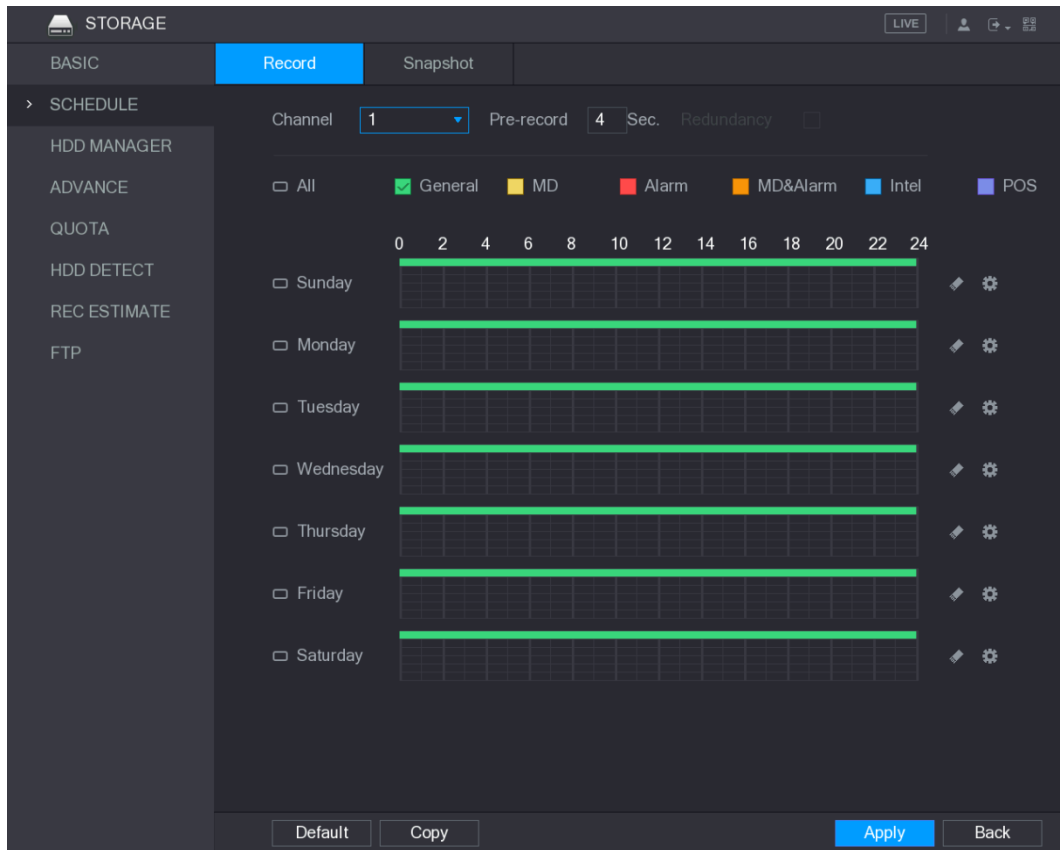


### 3.4 Configuring Recording Storage Schedule

Select **Main Menu > STORAGE > SCHEDULE > Record**, the **Record** interface is displayed, see Figure 3-8.

The default setting is 24 hours recording for all channels. You can modify the settings if needed.

Figure 3-8 Record storage configuration



### 3.5 Playing Back Recorded Video

You can search for and play back the recorded videos saved on the DVR.

Step 1 Select **Main Menu > VIDEO**.

The video search interface is displayed. See Figure 3-9.

Figure 3-9 Recorded video



**Step 2** Select the source as **From R/W HDD** or **From I/O Device** from where you want to search for the recorded video.

**Step 3** In the search type list, select **RECORD**.

**Step 4** In the calendar area, select a date.

**Step 5** In the **CAM NAME** list, select a channel.

**Step 6** Click .

The system starts playing recorded video.

## 3.6 Configuring P2P Settings

You can add the DVR into your cell phone client or the platform to manage. For details, please refer to the P2P operation manual.

 NOTE

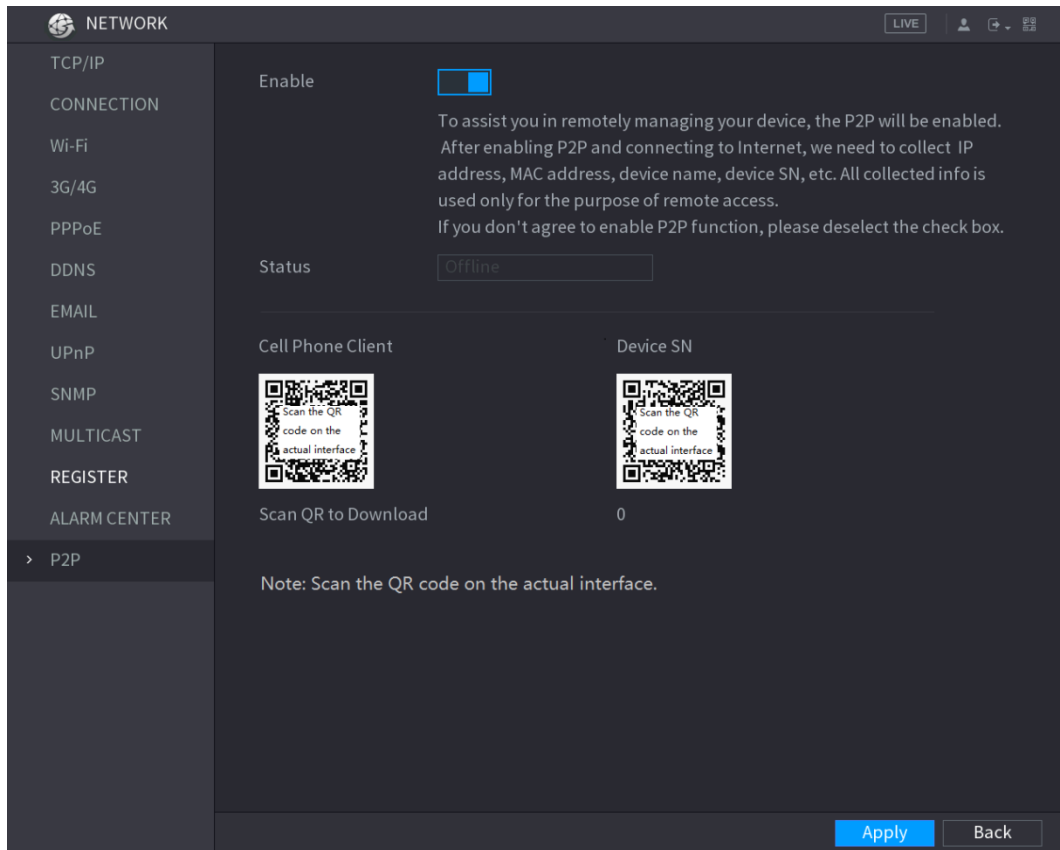
Make sure the DVR is connected into the Internet, and if yes, in the **Status** box of the P2P interface, it shows **Online**.

### 3.6.1 Entering P2P Interface

**Step 1** Select **Main Menu > NETWORK > P2P**.

The **P2P** interface is displayed. See Figure 3-10.

Figure 3-10 P2P interface



**Step 2** Enable the P2P function.


**Step 3** Click **Apply**.

You can start adding the DVR into Cell Phone Client or the platform.

### 3.6.2 Adding DVR into Cell Phone Client

To use P2P function, take adding device into Cell Phone Client as an example.

 **NOTE**

You can also enter the QR code interface by clicking  on the top right of the interfaces after you have entered the Main Menu.

**Step 1** Use your cell phone to scan the QR code under **Cell Phone Client** to download the application.

**Step 2** On your cell phone, open the application, and then tap , the menu is displayed.

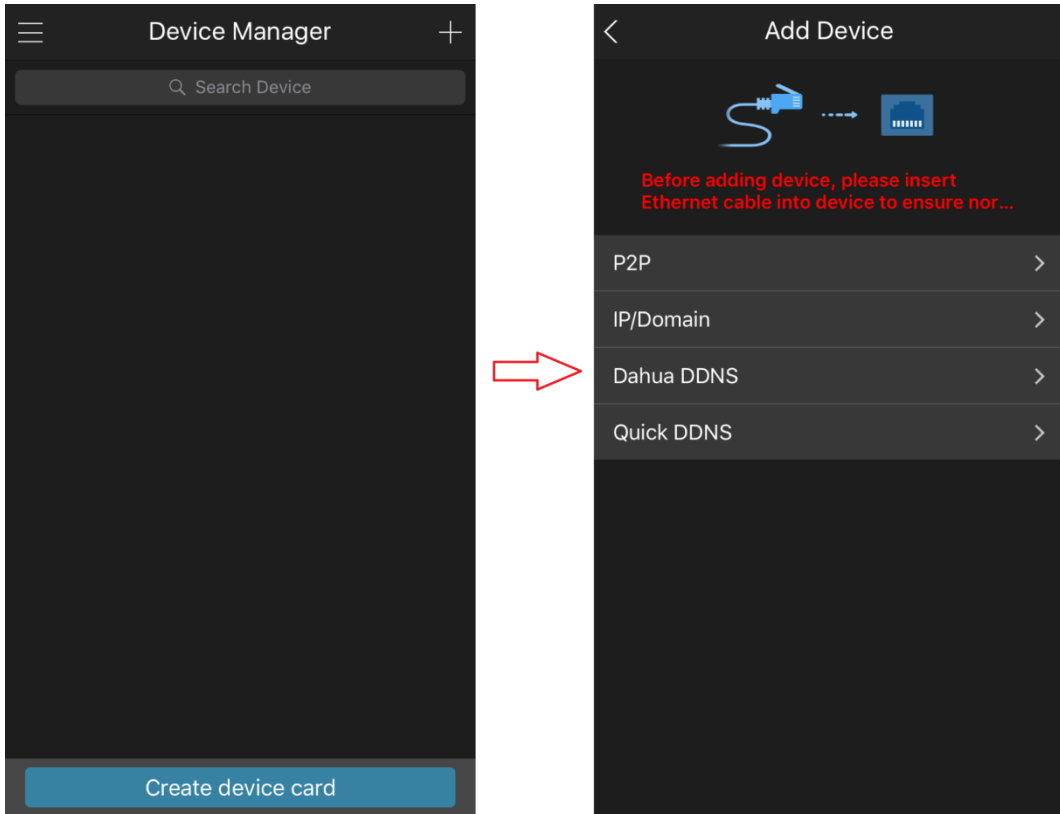
**Step 3** Tap **Device Manager** >  > **Add Device**.

The **Add Device** interface is displayed. See Figure 3-11.

 **NOTE**

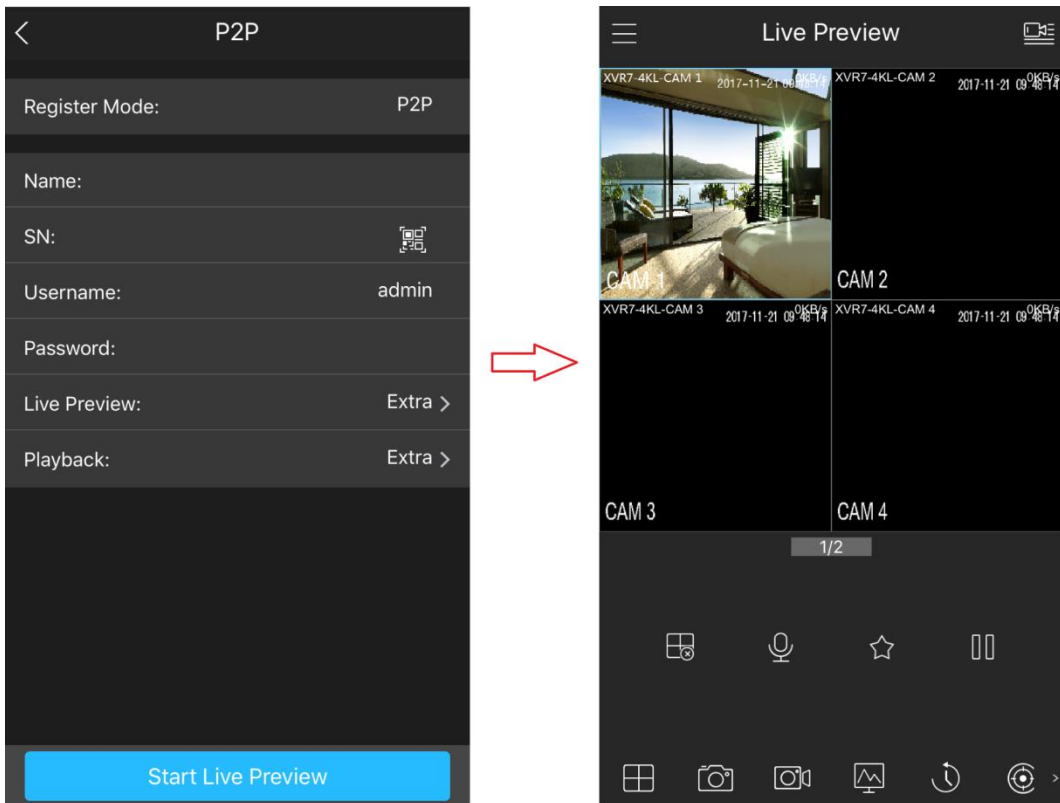
- If the DVR has not been initialized, follow the onscreen instructions to perform initialization first.
- You can add wireless device or wired device. The Guide takes adding wired device as an example.

Figure 3-11 Add device




**Step 4** Tap **P2P**, enter a name for the DVR, the username and password, scan the QR code under **Device SN**, and then tap **Start Live Preview**. The DVR is added and displayed on the live view interface of the cell phone. See Figure 3-12.

Figure 3-12 Live view



## 3.7 Logout

On the top right of the Main Menu interface or any interface after you have entered the Main Menu, click .

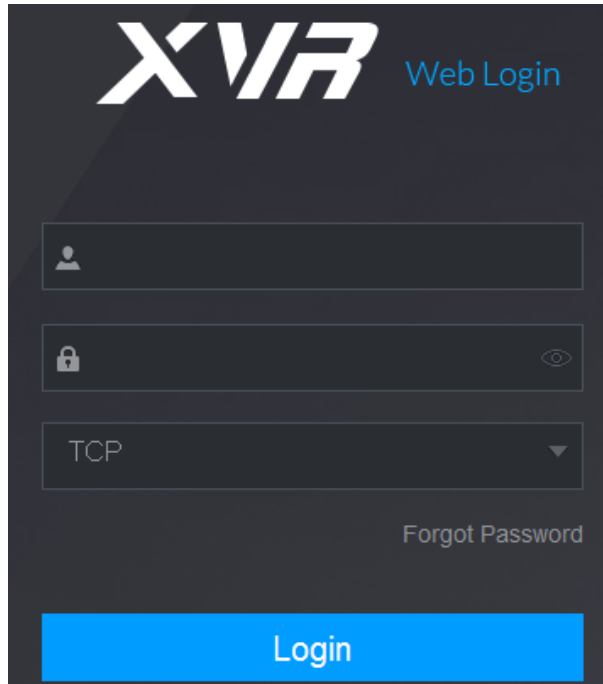
- Select **Logout**, you will log out the DVR.
- Select **Reboot**, the DVR will be rebooted.
- Select **Shutdown**, the DVR will be turned off.

You can also press the power button on the DVR to turn it off.

# 4 Web Login

Open the browser, enter the IP address of the DVR, and then press **Enter**. The **Login in** dialog box is displayed. See Figure 4-1. Properly enter the user name and password to login the web. For details, see *User's Manual*.

Figure 4-1 Login



 NOTE

- Device initialization is required at the first login.
- The default administrator account is **admin**. The password is the one that was configured during initializing settings. To security your account, it is recommended to keep the password properly and change it periodically.
- You can select the protocol type as **TCP**, **UDP**, or **MULTICAST** depending on the networking structure. The default is **TCP**.
- If you forgot the password, click **Forgot Password** to reset the password.
- When entering the **Live** interface for the first time, follow the onscreen instructions "Please install plugins first!" to install the plugins.